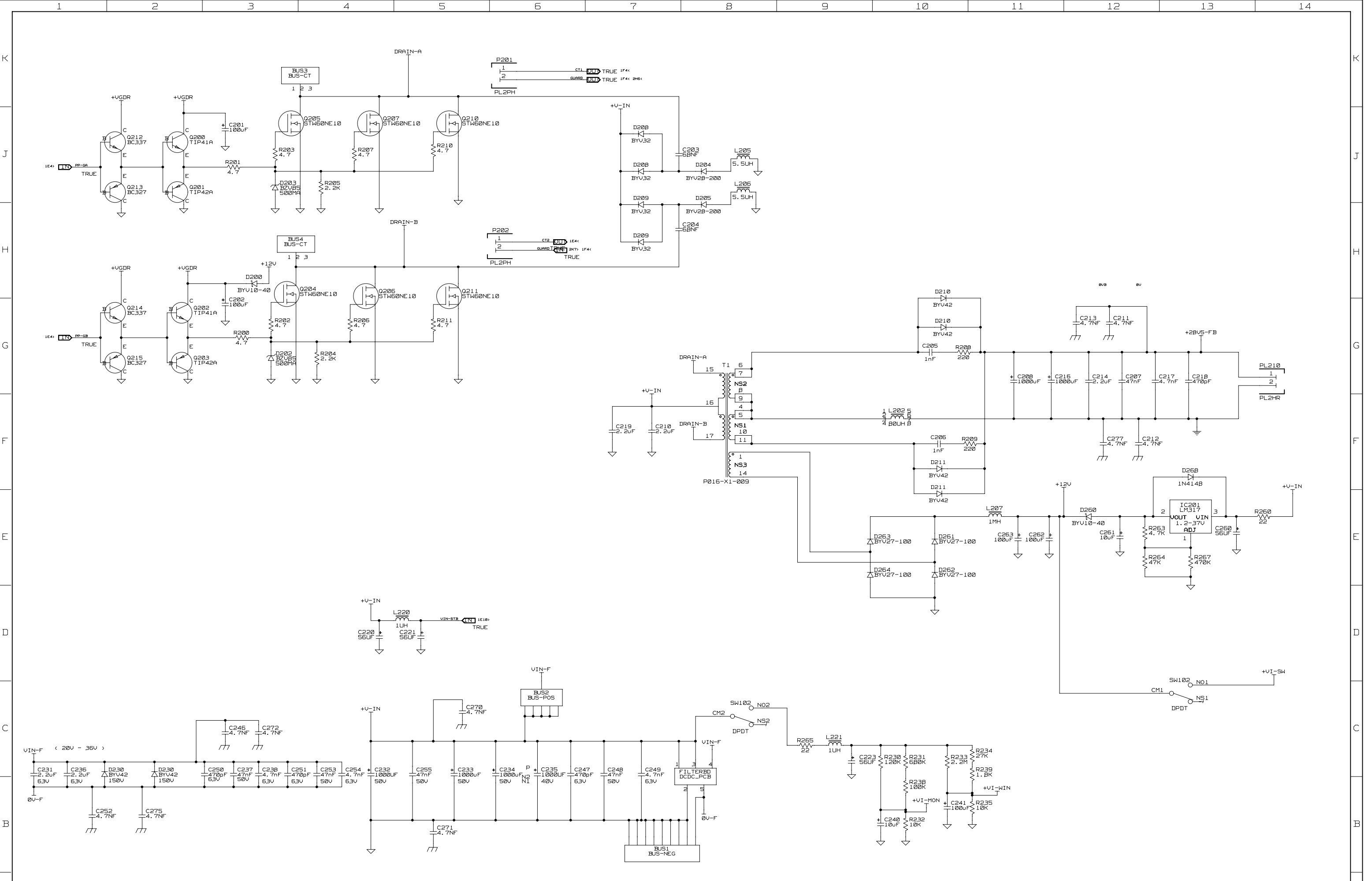


03A	ECO. 1012005B0	TB	RVDC		RVDC	1/06/05
02B	ECO. 101200366	TB			RVDC	02/07/04
02A	ECO. 101200267, 101200273	TB			RVDC	02/02/04
01A	PROTOTYPE CLONED FROM 12V	TB			RVDC	18/11/03
REV/ISS	AMENDMENTS	DRAWN	CHKD	D. O.	APVD	DATE

© TAIT ELECTRONICS		A1
TB8000 PMU		
DC-DC CONVERTER 24V		
IPN:	ISSUE:	VARIANT NUMBER:
220-02041-03	A	?
FILE DATE: Wed Jun 01 11:32:27 2005		
ENGINEER:	FILE NAME:	SHEET NUMBER:
RVDC	220_02041	1 OF 2



02A	ECO 101200267, 10100273	TB	?	?	RUCD	02/2/04
01A	PROTOTYPE CLONED FROM 12V	TB			RUCD	18/11/03
REV/ISS	AMENDMENTS	DRAWN	CHKD	D. O.	APVD	DATE

© TAIT ELECTRONICS		A1
TB8000 PMU		
DC-DC CONVERTER 24V		
IPN:	ISSUE:	VARIANT NUMBER:
220-02041-03	A	?
FILE DATE: Wed May 25 16:24:55 2005		
ENGINEER:	FILE NAME:	SHEET NUMBER:
RUCD	220_02041	2 OF 2